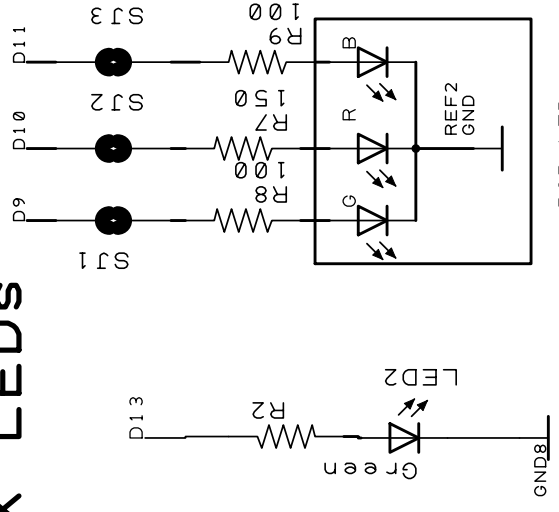
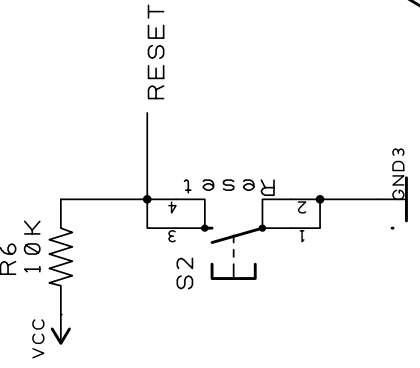


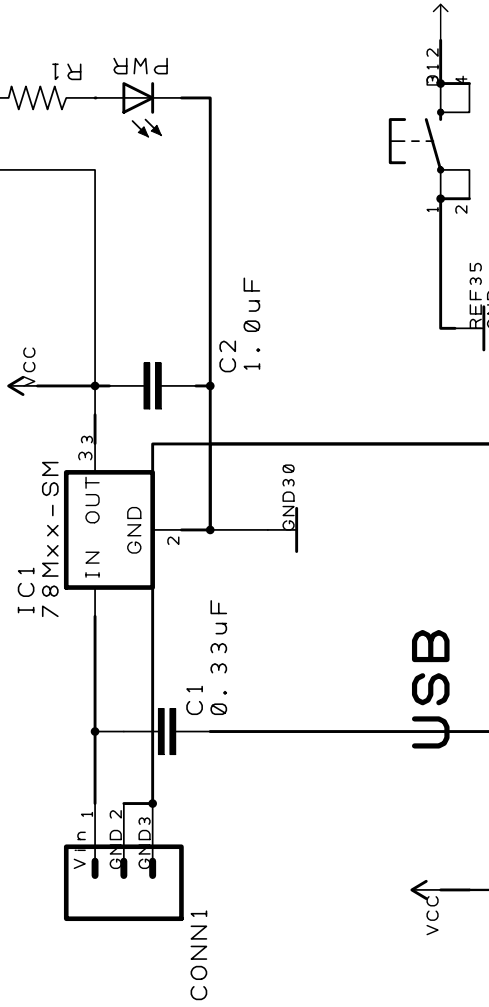
# AUX LEDs



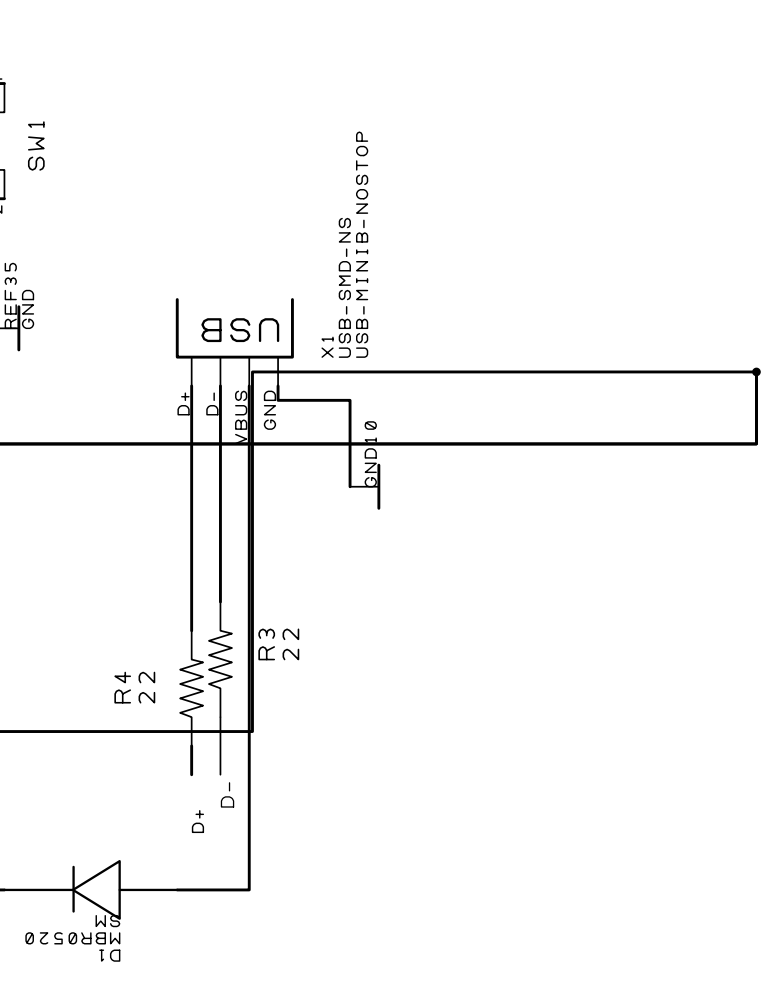
# Reset



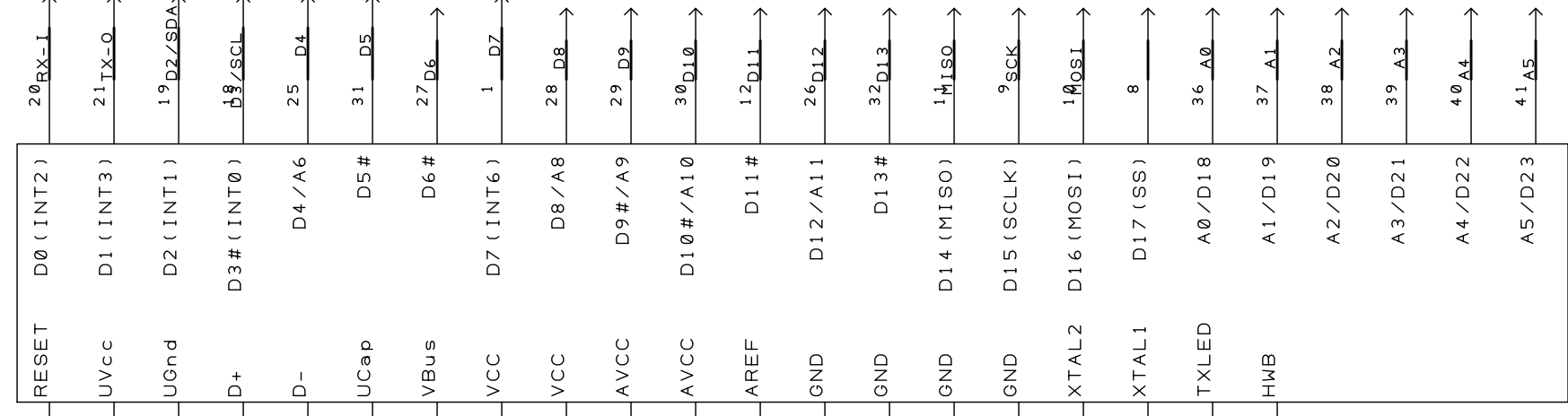
# Power Supply



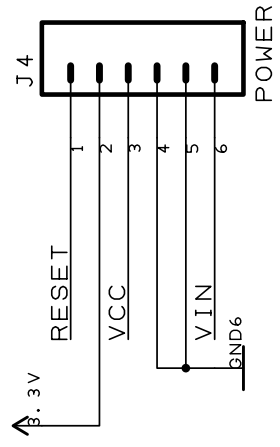
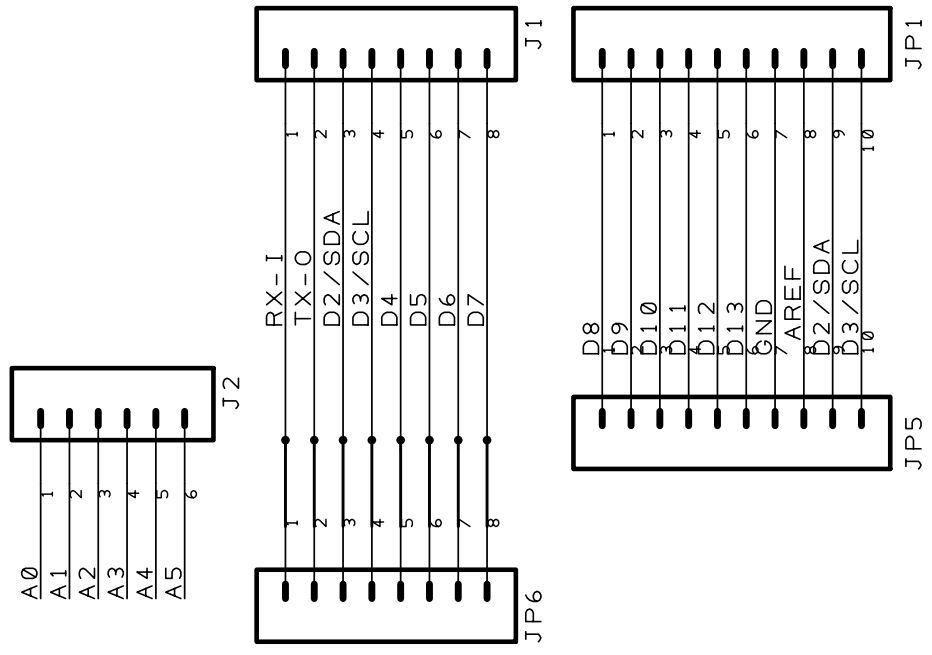
# USB



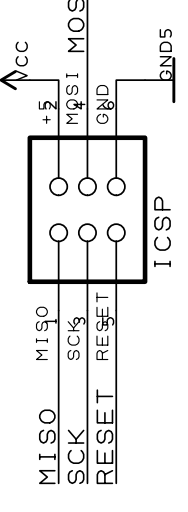
# ATMEGA 32U4



# Headers



# ICSP



E	D	C	B	A	Drawn	Check	Projection Do Not Scale	
Drn	Drn	Drn	Drn	Project	LEOLYMPIA VERSION 1.0			Client
Chk	Chk	Chk	Chk	Title	OLYMPIA CIRCUITS LEOLYMPIA 1.0			Filename
							Drawing No.	Sheet of